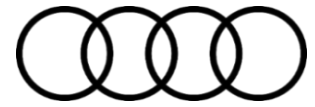


Audi e-tron GT

Model year 2026



	quattro	RS performance
Model Code	F8PRWD	F8PR8D
Maximum Retail Price ¹	\$235,990	\$295,990

Technical Information

Powertrain

Number of electric motors front / rear axle	1 / 1	1 / 1
Gross / net battery capacity in kWh	105 / 97	105 / 97
Max. electrical output in kW	370	550
Max. electrical output in launch control mode in kW	430	680
Electrical torque output front / rear in Nm	305 / 590	409 / 590
Drive type	quattro	quattro
Acceleration - 0-100 km/h in seconds	4.2	2.9
Acceleration - 0-100 km/h in launch control mode in seconds	4.0	2.5
Top speed in km/h	245	250

Fuel & Emissions

Fuel type	Electric	Electric
CO2 emissions g/km ^{2,3}	0	0
Charging inlet type	Type 2 CCS	Type 2 CCS
Electrical consumption Wh/km ^{2,3}	TBC	TBC
WLTP electric range in km ²	TBC	TBC
Max. Charging capacity AC / DC in kW	11 / 320	11 / 320

Capacities

Number of seating positions	5	5
Luggage capacity behind 2nd / 1st row in litres	405 / -	350 / -
Maximum towing weight, braked / un-braked 12% gradient in kg	-	-

Warranty

Audi warranty 5 years ⁴	•	•
Audi roadside assist 5 years ⁴	•	•
Motoring plan 3 years ⁴	•	•

¹ Prices are maximum retail including 15% GST. Maximum Retail Price does not include additional on road costs.

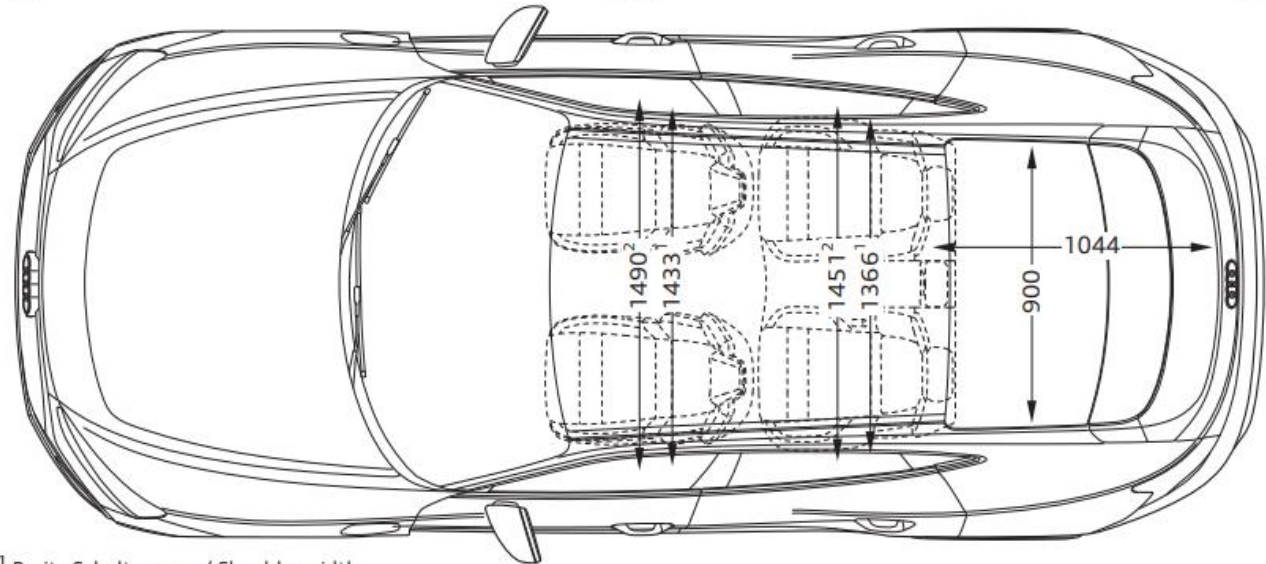
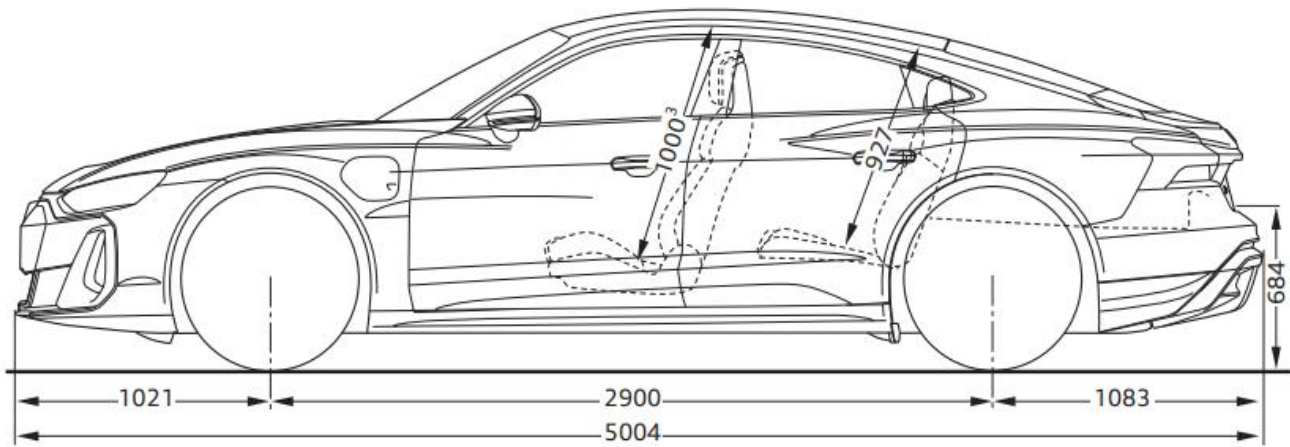
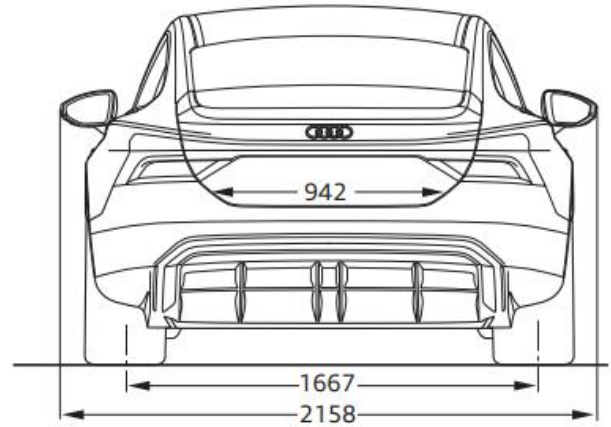
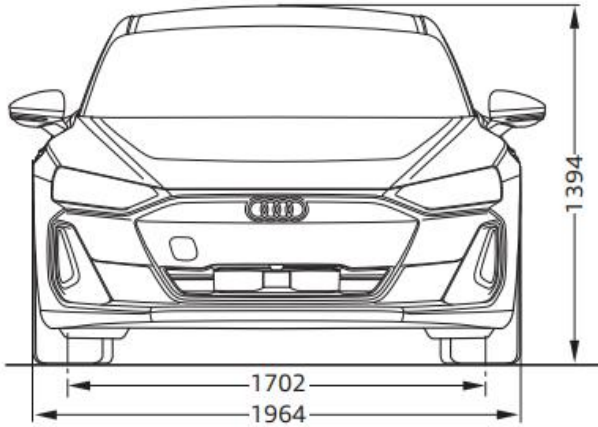
⁸ Limited stock available in dealership only.

² The official fuel consumption, emissions, and EV range figures determined by the WLTP test should be used as a guide only, or for vehicle to vehicle comparison. Actual results may vary due to factors such as driving or environmental conditions.

³ The figures provided are converted using official NZ Government calculator to 3P-WLTP from official manufacturer's 4P WLTP or NEDC tests in accordance with EU legislation.

⁴ or 150,000 km, whatever comes first

Dimensions



¹ Breite Schulterraum / Shoulder width

² Breite Ellbogenraum / Elbow width

³ maximaler Kopfraum / Maximum headroom

* maximaler Kopfraum / Maximum headroom

Angaben in Millimeter / Dimensions in millimeters

Angabe der Abmessungen bei Fahrzeugleergewicht / Dimensions of vehicle unloaded

Bei den angegebenen Werten handelt es sich um auf Datenbasis ermittelte Nominalwerte. Sie basieren auf zum Zeitpunkt der Ermittlung vorliegenden Datenständen und definierter Ausstattungsvariante.

The indicated values are data based nominal values. They refer to the present data sets at the date of the determination and a defined set of equipment

Standard Equipment

Exterior

Sun protection glass, tinted	•	•
Acoustic glazing for door and side windows	•	•
Panoramic glass roof	•	•
Exterior mirror housings in body colour	•	•
Singleframe in body color	•	•
Exterior mirrors, electrically adjustable, heated and folding, automatically dimming, with memory function	•	•
LED headlights with dynamic indicator	•	-
LED rear lights with dynamic indicator	•	-
Matrix LED headlights with Audi laser light, dynamic light sequencing and dynamic indicator	○	•
LED rear lights with dynamic light sequencing and dynamic indicator	○	•
Black styling package	○	•

Seats & Interior Trim

Leather combination, perforated with honeycomb pattern	•	•
Sport seats pro, front	•	•
Stainless steel pedals	•	•
Door sill trims with aluminium inlays, front and rear, illuminated	•	•
Sport contour steering wheel, 3-spoke, flat top and bottom, with multifunction and shift paddles	•	-
Sport contour steering wheel, 3-spoke, flat top and bottom, with multifunction, shift paddles and control satellites	-	•
Interior mirror, automatically dimming, frameless	•	•
Inlays, fine paint finish, graphite grey	•	-
Inlays, carbon twill, silk matt	○	•
Headlining in cloth, black	•	-
Headlining in Dinamica microfibre, black	○	•
Upper and lower interior elements in fine Nappa leather/Dinamica microfibre	•	•
Interior trims in vanadium look	-	•

Comfort & Convenience

Convenience auxiliary air conditioning	•	•
3-zone deluxe automatic air conditioning	•	•
Ambient lighting package plus	•	•
Steering wheel adjustment, electric	•	•
Front seats, electrically adjustable with memory function for the driver seat	•	•
Seat heating, front	•	-
Additional seat heating for outer rear seats	○	•
Seat ventilation, front	•	•
Convenience key with sensor-controlled release of the luggage compartment lid, with Safelock	•	•
Anti-theft alarm	•	•

Driver Assistance Systems

Driver attention and fatigue monitor	•	•
Park assist plus	•	•
Intersection assist	•	•
Surround view cameras	•	•
Camera-based traffic sign recognition	•	•



Adaptive cruise assist with emergency assist	•	•
Audi pre sense basic, Audi pre sense front	•	•
Park assist with parking system plus	•	•
Side assist with exit warning and rear cross-traffic assist	•	•
Adaptive cruise control with speed limiter, efficiency, swerve and turn assist	•	•
e-tron sport sound	-	•
Acoustic vehicle alerting system	•	-

Infotainment

Audi connect navigation & infotainment ⁵	•	•
Audi Application Store and smartphone interface	•	•
Audi connect emergency call & service ⁶ with Audi connect remote & control ⁵	•	•
Head-up display	•	•
Audi virtual cockpit plus	•	-
Audi virtual cockpit plus with additional RS layout	-	•
MMI navigation plus with MMI touch	•	•
Audi sound system	•	-
Bang & Olufsen 3D Premium Sound System	○	•
Audi phone box light	•	•

⁵ 3 year subscription included. ⁶ 10 year subscription included.

Wheels & Suspension

Multi-spoke S, Black, 9.0J 11.0Jx20, 245/45 285/40 R20 tyres		•	-
6-twin-spoke RS, Gloss turned finish and gloss milled, 9.5J 11.5Jx21, 265/35 305/30 R21 tyres		-	•
quattro with open rear differential		•	-
quattro with regulated rear-axle differential lock		-	•
All-wheel steering		○	•
Tyre repair kit		•	•
Power steering plus		•	-
Sport steering		○	•
adaptive air suspension		•	-
Active suspension		○	•
Tyre pressure monitoring system		•	•
Anti-theft wheel bolts		-	•

Charging

Domestic connector type I (Australia) for the e-tron charging system	•	•
Second charging port	•	•
Clip wall mount	•	•
e-tron charging system compact	•	•
Industrial connector CEE 32 A, 230 V, for the e-tron charging system	•	•
Charging cable for public charging, mode 3, 22 kW (AC)	•	•






Optional Equipment

Individual options	Code	Price	Price
Active suspension	1P8	\$19,000	•
All-wheel steering with sport steering, front	PHZ	\$4,500	-
Air quality package	2V3	\$1,000	\$1,000
Seat ventilation and massage function, front	4D5	\$3,000	\$3,000
Additional seat heating for outer rear seats	4A4	\$2,500	•
Matrix LED headlights with dynamic indicator	8G4	\$6,000	•
Matrix LED headlights with Audi laser light and LED rear lights, light sequencing and dynamic indicator	PXC	\$10,500	•
Night vision assist	9R1	\$6,000	\$6,000
Bang & Olufsen 3D Premium Sound System	9VS	\$3,500	•
Black styling package	4ZP	\$4,000	•
Singleframe, black	6H2	\$1,000	\$1,000
Gloss carbon styling package	5L3	-	\$9,500
Note: Only in conjunction with exterior mirror housings in carbon (6FQ)			
Matt carbon camouflage styling package	5L4	-	\$9,500
Note: Only in conjunction with Exterior mirror housings, matt carbon camouflage (6FN), Inlays -matt carbon camouflage (7TS)			
Exterior mirror housings in black	6FJ	\$500	\$500
Exterior mirror housings in carbon	6FQ	\$2,000	\$2,000
Exterior mirror housings, matt carbon camouflage	6FN	-	\$2,000
Note: Only in conjunction with Inlays -matt carbon camouflage (7TS)			
Door sill trims in silk matt carbon, illuminated	VT3	-	\$3,000
Door sill trims, matt carbon camouflage	VT2	-	\$3,000
Note: Only in conjunction with Inlays -matt carbon camouflage (7TS)			
Panoramic glass sunroof with switchable transparency	3FP	\$7,500	\$7,500
Carbon roof	3FI	\$12,000	\$12,000
Carbon roof, dark matt	3FF	-	\$12,000
Note: Only in conjunction with Matt carbon camouflage styling package (5L4)			
Inlays, carbon twill, silk matt	5MH	\$3,000	•
Inlays, matt carbon camouflage	7TS	-	\$3,000
Inlays, birch linear natural, anthracite	7TC	\$2,000	\$2,000
Steel brake system with tungsten carbide coating and brake callipers in black	PC1	\$8,000	-
Steel brake system with tungsten carbide coating and brake callipers in orange	PC2	\$8,000	\$2,000
Steel brake system with tungsten carbide coating and brake callipers in red	PC3	\$8,000	\$2,000
Ceramic brake system with brake callipers in anthracite grey	PC5	-	\$14,000
Ceramic brake system with brake callipers in red	PC6	-	\$15,000
Headlining in Dinamica microfibre, black	6NC	\$6,500	•
RS design package, red	PEF	-	\$5,000
RS design package, grey	PEG	-	\$5,000
RS performance design package	PEK	-	\$5,000
Design package cognac-jet grey, Audi exclusive	YVA	\$16,500	\$16,500
Design package, black/silver, Audi exclusive	YVP	\$14,500	\$14,500
Ascari blue metallic exterior paint	9W	\$2,000	\$2,000
Nimbus grey pearl effect exterior paint	6Z	-	\$2,000

Wheel options

	Code	Price	Price
5-spoke aero module, Black, gloss turned finish, 9.0J 11.0Jx20, 245/45 285/40 R20 tyres	471	\$2,000	-



5-twin-spoke, Gloss turned finish, 9.5J 11.5Jx21, 265/35 305/30 R21 tyres		64Y	\$4,000	-
10-spoke trapezoid module, Black, gloss turned finish, 9.5J 11.5Jx21, 265/35 305/30 R21 tyres		47J	\$4,000	\$1,000
5-twin-spoke concave module, Black, 9.5J 11.5Jx21, 265/35 305/30 R21 tyres		43S	\$6,000	\$2,000
5-twin-spoke concave module, Black with graphic print, 9.5J 11.5Jx21, 265/35 305/30 R21 tyres		44I	\$6,000	\$2,000
6-twin-spoke RS, Gloss turned finish and gloss milled, black, 9.5J 11.5Jx21, 265/35 305/30 R21 tyres		64W	-	\$3,500