

Passat Alltrack

Model Year 2022 Specifications



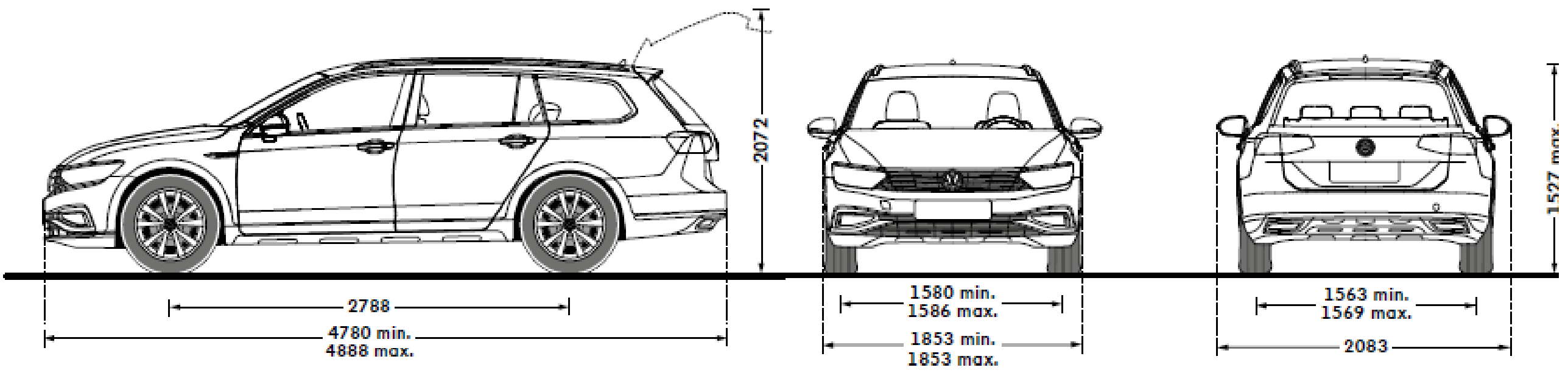
5 YEAR WARRANTY

Price	Passat Alltrack 162TSI 4MOTION
Model Code	CB5CMT
Maximum Retail Price**	\$60,990

**Maximum Retail Price (MRP) does not include on-road costs. Fuel consumption tested in accordance with EC directive 80/1268/EC. Consumption measured on European specification cars. Specifications are as planned at September 2021 for Model Year 2022 and subject to change without notice or obligation. °Exterior colours: Subject to change without notice or obligation.
≈Please note figures are sourced from overseas data where equipment levels by model variant may vary.
^Data (2022 rebates & fees are indicative) is supplied for reference only and subject to change without notice. Government Clean Car Programme begins 01/04/2022 and is subject to legislation being passed.



Technical Data	Passat Alltrack 162TSI 4MOTION
Engine Type	4-Cylinder inline Turbo Petrol
Fuel Type	Petrol (Minimum 95 RON)
Cubic Capacity (cc)	1,984
Maximum Power (kW) @ rpm	162kW (4,500-6,200)
Maximum Torque (Nm) @ rpm	350Nm (1,500-4,400)
Drivetrain	4MOTION All Wheel Drive
Transmission	7 Speed DSG
Tare weight (kg)	1,586
Trailer load limit 12% gradient (kg) (Braked / Unbraked)	2200 / 750
Luggage Capacity (L) (rear seats upright / rear seats folded)≈	639 / 1769
Fuel tank capacity (L, approx.)	66
Fuel consumption (L/100km) - Combined, NEDC	7.9
CO ₂ emissions g/km - Combined, NEDC (3P-WLTP converted)	180 (200)
Emission standard	Euro 6 (NEDC)
Automatic Start/stop system with generative braking	●
5 year / 150,000 km (whichever occurs first) mechanical warranty, 5 year VW roadside assistance and 12 year anti-corrosion warranty	●
Volkswagen Service Plan - Scheduled Servicing for 3 years or up to 45,000km (whichever occurs first)	\$1,645
Volkswagen Service Plan - Scheduled Servicing for 5 years or up to 75,000km (whichever occurs first)	\$3,445





Safety and Security Passat Alltrack 162TSI 4MOTION

Electronic Stability Programme (ESP)	●
Electronic Differential Lock XDS	●
Anti-Slip Regulation (ASR)	●
Trailer stabilisation	●
Driver and front passenger front airbags	●
Driver knee airbag	●
Side and Curtain airbags (Front and rear)	●
ISOFIX mounting points on outer rear seats (x2)	●
Anti-theft 'Plus' alarm system	●
Seatbelt reminder (Front and rear seats)	●
3 point seat belts for all passengers	●
Proactive Occupant Protection System	●
Front Assist incl. City Emergency Braking and Forward Collision Warning	●
Pedestrian Monitoring	●
Adaptive Cruise Control (ACC) with Travel Assist and Emergency Assist	●
'Lane Assist' (Lane Keeping System)	●
'Side Assist' (Blind Spot Monitor)	●
Rear cross traffic alert	●
Tyre Pressure Loss Indicator	●
'Driver Alert System' driver fatigue detection	●
Electromechanical parking brake with Auto-Hold function	●
Hill Start Assist and Hill Descent Control	●
Area view camera	●
Park Distance Control (front and rear parking sensors)	●
'Park Assist' (Parallel parking assistant)	●



Steering and Suspension Passat Alltrack 162TSI 4MOTION

Driving Profile Selection	●
Adaptive Chassis Control (DCC) - Electrically controlled dampers	●



Exterior Passat Alltrack 162TSI 4MOTION

LED Headlights:	
- LED daytime running lights (DRL)	
- Low light sensor with automatic headlight function	●
- LED front fog and cornering lights	
- Headlight Range Control	
- Coming Home and Leaving home feature	
LED tail lamps	●
Rear fog light	●
Exterior side mirrors:	
- Power folding and power adjustment	
- Heated function	●
- Memory feature	
- Surround lighting	
Privacy glass - rear window and rear side windows	●
Roof rails (silver anodized)	●
Panoramic sliding/tilting sunroof (PS6)	\$2,500




Interior Passat Alltrack 162TSI 4MOTION

"KESSY" - Smart key, Push button start and Keyless entry/locking with SAFELOCK	●
Climatronic 3-zone automatic air conditioning system	●
Height and reach adjustable steering wheel	●
Leather-covered multifunction sports steering wheel with gearshift paddles	●
Automatic dimming interior rear-view mirror	●
'Tracks' decorative inserts (Dashboard & door trims)	●
'Piano Black' decorative inserts (Center console)	●
Brushed stainless steel pedals	●
'Easy Open/Close' - Sensor controlled luggage compartment opening and closing	●
Folding luggage compartment floor	●



Seat & Upholstery Passat Alltrack 162TSI 4MOTION

'Nappa' Leather upholstery:		
- 14-way electrically adjustable front seats, driver's seat with memory and massage function		●
- Heated front seats		
- Electrically adjustable lumbar support for front seats (Leather appointed seats have a combination of genuine and artificial leather, but are not wholly leather)		
Asymmetric folding rear backrest		●
Rear centre armrest with storage compartment and load-through hatch		●




Multimedia Passat Alltrack 162TSI 4MOTION

Discover Media Navigation Infotainment System:		
- 8" colour touch-screen		
- Satellite Navigation		
- App-Connect (Apple CarPlay®, Android Auto™ and MirrorLink™)		●
- Wireless App-Connect (Wireless Apple CarPlay® and Android Auto™)		
- Bluetooth® phone connectivity and audio streaming		
- Voice Control		
2x USB-C ports in the front and 1x USB-C charging port in the rear		●
12V outlets: 1x front, 1x rear and 1x luggage compartment		●
8 speakers		●
Multi-function display 'Premium'		●





Wheels Passat Alltrack 162TSI 4MOTION

Image (Standard Wheel)		
Standard Wheel (Size)		19" Albertville Alloy Wheel (245/40 R19)
Full-size spare wheel		●
Tool kit & jack, first aid kit, warning triangle and safety vest		●



Exterior Colours° Passat Alltrack 162TSI 4MOTION

Pyrit Silver Metallic (K2K2)		●
Manganese Grey Metallic (5V5V)		●
Deep Black Pearlescent (2T2T)		●
Aquamarine Blue Metallic (8H8H)		\$500