

Amarok Double Cab

Model Year 2022 Specifications



Commercial Vehicles

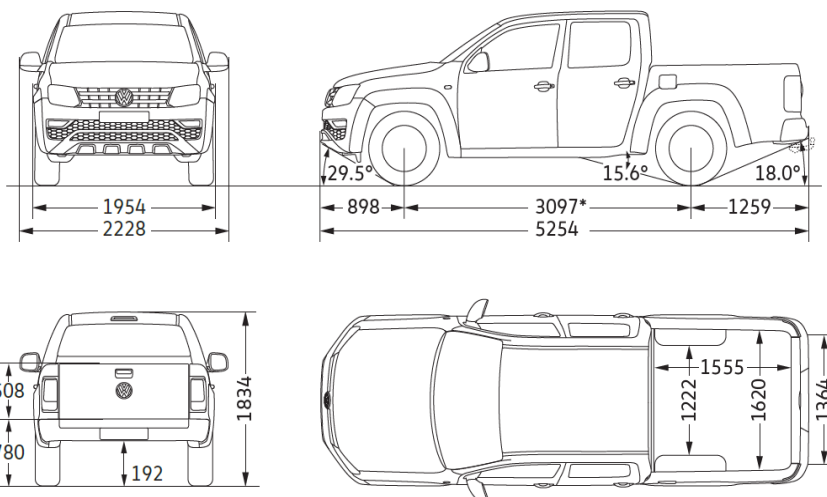


5 YEAR WARRANTY

| Price | 4-Cylinder Comfortline | V6 Sportline | V6 Aventura |
|---|------------------------|--------------|-------------|
| Model Code | S7BB3A | S7BC8A | S6BD8A |
| Maximum Retail Price* | \$63,000 | \$75,000 | \$90,000 |
| *Maximum Retail Price (MRP) includes 15% GST and does not include on-road costs. Fuel consumption tested in accordance with EC directive EEC 715/2007 and is based on NEDC procedure. Consumption is measured on European specification cars and may vary depending on equipment, road conditions, tires and driving behaviour. Image shows international specification, local specification may vary. Specifications are as planned at July 2021 for Model Year 2022 and subject to change without notice or obligation. | | | |



| Technical Data | 4-Cylinder Comfortline | V6 Sportline | V6 Aventura |
|---|------------------------|-----------------------|-----------------------|
| Engine Type | 4-Cylinder Twin Turbo | V6 Turbo | V6 Turbo |
| Fuel Type | Diesel | Diesel | Diesel |
| Cubic Capacity (cc) | 1,968 | 2,967 | 2,967 |
| Maximum Power (kW) @ rpm | 132 @ 3,000 - 4,000 | 190 @ 2,500 - 4,000 | 190 @ 2,500 - 4,000 |
| Maximum Power including Overboost (kW) @ rpm | - | 200 @ 3,500 - 4,000 | 200 @ 3,500 - 4,000 |
| Maximum Torque (Nm) @ rpm | 420 @ 1,750 | 580 @ 1,400 - 3,000 | 580 @ 1,400 - 3,000 |
| Drivetrain | 4MOTION 4-Wheel Drive | 4MOTION 4-Wheel Drive | 4MOTION 4-Wheel Drive |
| Transmission | 8 Speed Automatic | 8 Speed Automatic | 8 Speed Automatic |
| Spring Load System, 2+1 Standard Leaf Springs | NCO | ● | ● |
| Spring Load System, 3+2 Heavy Duty Leaf Springs | ● | NCO | NCO |
| Gross Vehicle Mass, 2+1 Standard Leaf Springs | 2,820 | 2,920 | 2,920 |
| Gross Vehicle Mass, 3+2 Heavy Duty Leaf Springs | 3,040 | 3,080 | 3,080 |
| Tare weight (kg), based on Standard Equipment | 2,067 | 2,160 | 2,254 |
| Payload, 2+1 Standard Leaf Springs | 770 | 760 | 666 |
| Payload, 3+2 Heavy Duty Leaf Springs | 973 | 904 | 809 |
| Trailer load limit 12% gradient. Braked / Unbraked (kg), 2+1 Standard Leaf Springs | 3,200 / 750 | 3,500 / 750 | 3,500 / 750 |
| Trailer load limit 12% gradient. Braked / Unbraked (kg), 3+2 Heavy Duty Leaf Springs | 3,200 / 750 | 3,300 / 750 | 3,300 / 750 |
| Down ball load (kg), 2 + 1 Standard Leaf Springs | 140 | 300 | 300 |
| Down ball load (kg), 3 + 2 Heavy Duty Leaf Springs | 140 | 140 | 140 |
| Maximum Axle Ratings, Front / Rear (kg), based on Standard Equipment | 1,445 / 1,860 | 1,445 / 1,630 | 1,445 / 1,630 |
| Gross Train Weight 12% gradient (kg) | 5,950 | 6,000 | 6,000 |
| Fuel Tank Capacity (L, approx.) | 80 | 80 | 80 |
| Emission Standard. NEDC | EU5 | EU5 | EU5 |
| Combined Fuel Consumption, L/100km. NEDC | 8.5 | 9.5 | 9.5 |
| Combined CO ₂ g/km. NEDC (WLTP Converted) | 224 (256) | 250 (285) | 250 (285) |
| Top Speed (km/h) | 179 | 207 | 207 |
| Acceleration, 0-100km/h (s) | 10.9 | 7.3 | 7.3 |
| 5-Year / 150,000 km (whichever occurs first) mechanical warranty, 5-Year Volkswagen Roadside Assistance | ● | ● | ● |
| 6-Year Anti-Corrosion Warranty | ● | ● | ● |
| Up to 20,000km or every one year (whichever occurs first) oil service intervals | ● | ● | ● |
| Volkswagen Care Plan - Scheduled Servicing for 3 Years / 60,000km (whichever occurs first) | \$1,545 | \$1,695 | \$1,695 |
| Volkswagen Care Plan - Scheduled Servicing for 5 Years / 100,000km (whichever occurs first) | \$2,745 | \$2,945 | \$2,945 |



*This value applies for unladen weight. When loaded, the wheelbase is 3,090 mm.



| Safety and Security | | 4-Cylinder Comfortline | V6 Sportline | V6 Aventura |
|--|-----------|------------------------|--------------|-------------|
| Airbags – driver & front passenger, with front passenger airbag deactivation | 4UF / 4UD | ● | ● | ● |
| Airbags – side and curtain airbag for front passengers | 4X3 | ● | ● | ● |
| Anti-spin regulation (ABS/ASR) including Off-road ABS, along with electronic differential lock (EDL) | 1AT | ● | ● | ● |
| ESP (Electronic Stability Program) with hill start / descent assist and trailer stabilisation | 1AT | ● | ● | ● |
| Anti-theft alarm system with interior monitoring, backup horn, towing protection, and all-door unlocking | 7AS | ● | ● | ● |
| Central locking system with radio remote control, interior release mechanism, and SAFELOCK | 4K3 | ● | ● | ● |
| 5 x 3-point lap and diagonal seatbelts | ** | ● | ● | ● |
| Dual piston disc brakes in front and drum brakes rear with EBD (electronic brake-force distribution) | 2E3 | ● | - | - |
| 332mm diameter disc brakes front and 300mm diameter disc brakes in the rear with EBD (electronic brake-force distribution) | 2E4 | - | ● | ● |
| Warning buzzer and light for driver seatbelt and front passenger seat belt not fastened | 9P3 | ● | ● | ● |
| Cruise Control | 8T1 | ● | ● | ● |
| Tire Pressure Monitoring System | 7K3 | \$400 | \$400 | \$400 |
| Park Distance Control, Front & Rear, with Rear View Camera | 7X8 | ● | ● | ● |



| Exterior | | 4-Cylinder Comfortline | V6 Sportline | V6 Aventura |
|--|-----------|------------------------|--------------|-------------|
| Skid Plate at front bumper | ** | - | - | ● |
| Black rear bumper with integrated step | 2JF / OS2 | ● | - | - |
| Chrome-plated rear bumper with integrated step and chrome elements on front bumper | 2JF / OS6 | - | ● | ● |
| Front fog lights with cornering function | 8WH | ● | ● | ● |
| Bi-Xenon headlights with LED daytime running lights | ZF5 | ● | ● | ● |
| Light & Vision – Rain sensor, auto lights, auto dimming interior mirror, coming home and leaving home function | ZL2 | ● | ● | ● |
| Electrically adjustable and heated wing mirrors | 6XD | ● | ● | - |
| Electrically adjustable, heated & folding wing mirrors | 6XE | - | \$350 | ● |
| Washer fluid level indicator | 8W1 | - | ● | ● |
| Front side windows in heat insulating glass and Privacy glass for rear passenger windows | QL5 | ● | ● | ● |
| Mud flaps, front and rear | 6N2 | ● | ● | ● |
| LED centre high-mounted stop lamp | 8R4 / 8R7 | ● | ● | ● |

| | | | | |
|---|-----------|---------|---------|---------|
| Sports Bar painted in body colour | IB1 / YTU | - | - | ● |
| Nerf bars (Side Steps) | NU2 | - | - | ● |
| Chrome Styling Bar & Nerf bars (Side Steps) | IB4 & NU2 | - | \$1,850 | - |
| Durabed UV-resistant tray liner | *** | - | - | ● |
| Rear Tray - 4 folding lashing rings for load securing | 6B4 | ● | ● | ● |
| Rear tailgate, lockable | 3RQ | ● | ● | ● |
| Mechanical Differential Lock, rear axle | 1Y4 | \$1,250 | \$1,250 | \$1,250 |
| Tow bar preparation including trailer stabilisation | 1D7 | ● | ● | ● |



| Interior | | 4-Cylinder Comfortline | V6 Sportline | V6 Aventura |
|--|-----------|------------------------|--------------|-------------|
| Climatronic two-zone automatic air-conditioning, with separate temperature control for driver and front passenger | KH4 | ● | ● | ● |
| Leather-covered multi-function steering wheel, gear lever grip and hand brake handle | ZM2 | ● | ● | ● |
| Paddle shift levers | 1XX | \$150 | \$150 | ● |
| Power steering with height and longitudinally adjustable safety steering column | 1N1 | ● | ● | ● |
| Multi-function display Plus | 9Q5 | ● | ● | - |
| Multi-function display Premium | 9Q4 | - | - | ● |
| 2X Remote control folding keys | 8QK | ● | ● | ● |
| Comfortline chrome elements in the passenger compartment | ** | ● | - | - |
| Highline chrome elements in the passenger compartment | 6KG | - | ● | ● |
| Sun visor, left and right, with vanity mirror and airbag warning label on front passenger side | 5XR | ● | ● | ● |
| Leather parts: hand brake lever and gearshift knob in leather | 3HB | ● | ● | ● |
| Storage compartments - up to 1.5L bottles in front door pockets and up to 1L bottles in rear door pockets, 2 cup holders in centre console | 3D2 | ● | ● | ● |
| Storage compartments under front seats - 2 cup holders in rear tray | QN4 | ● | ● | - |
| Floor covering - robust rubber | ZB2 | \$220 | \$220 | \$220 |
| Floor covering - carpet | 5BF / 5AD | ● | ● | ● |
| Floor covering - Aventura | Z9A | - | - | ● |
| Front centre armrest & storage console with upholstered cover | 3D2 | ● | ● | ● |
| Grab handles - four folding handles in the headlining | ** | ● | ● | ● |
| Beige Interior Headlining, A & B-Pillar | ** | ● | - | - |
| Grey Interior Headlining, A & B-Pillar | ** | - | ● | - |
| Dark Interior Headlining, A & B-Pillar | ** | - | - | ● |
| 12V power outlet | ** | 2X | 4X | 4X |



| Seat & Upholstery | | 4-Cylinder Comfortline | V6 Sportline | V6 Aventura |
|--|-----------|------------------------|--------------|-------------|
| Seat cover - "Kemis" Cloth Upholstery | N0L / AH | ● | - | - |
| Seat cover - "ArtVelours" Upholstery | N3R / DM | - | ● | - |
| Seat cover - "Vienna" Leather Upholstery, 14-Way power adjustable front seats | ZSA / TR | \$6,500 | \$4,500 | - |
| Seat cover - "Nappa" Leather Upholstery, 14-Way power adjustable front seats | N4L / TE | - | - | ● |
| Lumbar support for seats in 1st row, manually adjustable | 7P4 | ● | ● | - |
| Seats, comfort front seats with manual height adjustment, driver and passenger | 3L3 | ● | ● | - |
| Heated front driver and passenger seats | ZW2 / ZSB | - | ● | ● |
| 3 rear headrests, seatbelt reminder and Isofix points in the outer rear seats | 9P3 / 3Q6 | ● | ● | ● |
| 3 seat cinema-style bench seat. Elevated higher than front seats for increased visibility. 1/3 to 2/3 split folding (upwards) to provide extra storage space. Backrest folds down in one piece. Storage Compartment for small items behind the bench seat. | 3UH | ● | ● | ● |



| Multimedia | | 4-Cylinder Comfortline | V6 Sportline | V6 Aventura |
|---|-----------|------------------------|--------------|-------------|
| Radio "Composition Media", 6.33" Touchscreen | Z14 | ● | ● | - |
| Navigation "Discover Media" 6.33" Touchscreen | Z17 | - | - | ● |
| 6 Speakers, Voice Enhancer & Voice Control | Z14 / Z17 | ● | ● | ● |
| USB Interface, AUX-IN, Mobile Interface | Z14 / Z17 | ● | ● | ● |
| App-Connect | Z14 / Z17 | ● | ● | ● |



| Wheels | 4-Cylinder Comfortline | V6 Sportline | V6 Aventura |
|--------------------------------------|------------------------|-------------------|------------------|
| Image | | | |
| Standard Wheels | 17" Posadas Alloys | 18" Manaus Alloys | 20" Talca Alloys |
| Tire Size | 245/65 R17 | 255/60 R18 | 255/50 R20 |
| Image | | | - |
| 19" Milford Alloys, 255/55 R19 Tires | \$1,800 | \$1,200 | - |
| Full size light alloy spare wheel | ● | ● | ● |



| Exterior Colours | 4-Cylinder Comfortline | V6 Sportline | V6 Aventura |
|------------------------|------------------------|--------------|-------------|
| Atlantic Blue Metallic | H7H7 ● | ● | ● |
| Candy White | B4B4 ● | ● | ● |
| Deep Black Pearlescent | 2T2T ● | ● | ● |
| Indium Grey Metallic | X3X3 ● | ● | ● |
| Mojave Beige Metallic | 1B1B ● | ● | ● |
| Pyrit Silver Metallic | K2K2 ● | ● | ● |