

Amarok “Canyon” Special Edition. Specifications MY18.



Commercial
Vehicles



Model	Code	Amarok "Canyon"
Maximum Retail Price– 8-Speed Automatic Transmission 4MOTION		\$69,990 S7BB3ACA

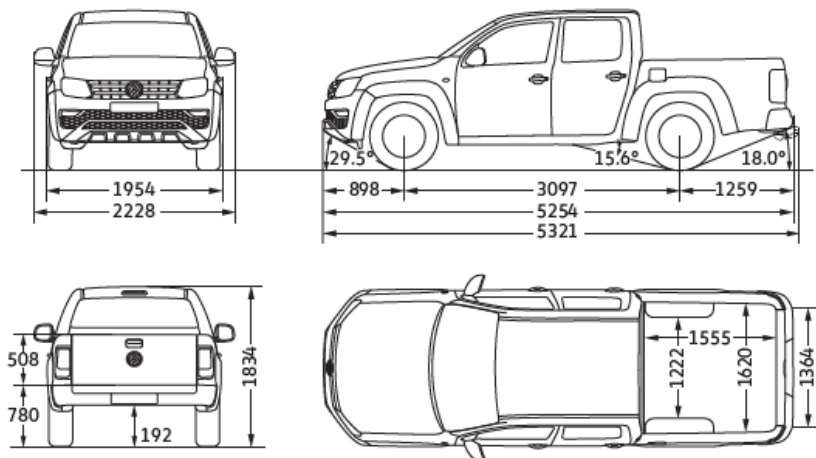
Technical Data

Power (kW) @ rpm		132 @ 3,000 – 4,000
Torque (Nm) @ rpm (Automatic)		420 @ 1,750
Displacement in cm ³ (4-cylinder)		1968
Diesel Injection system – common rail direct injection turbocharged		•
Fuel tank capacity, approximate (litres)		80
Fuel consumption, combined, in l/100 km (EU 5 Engine, based on automatic)		8.5 – 8.0
Spring load system - heavy duty 3+2 leaf springs on ladder frame chassis	1BF	•

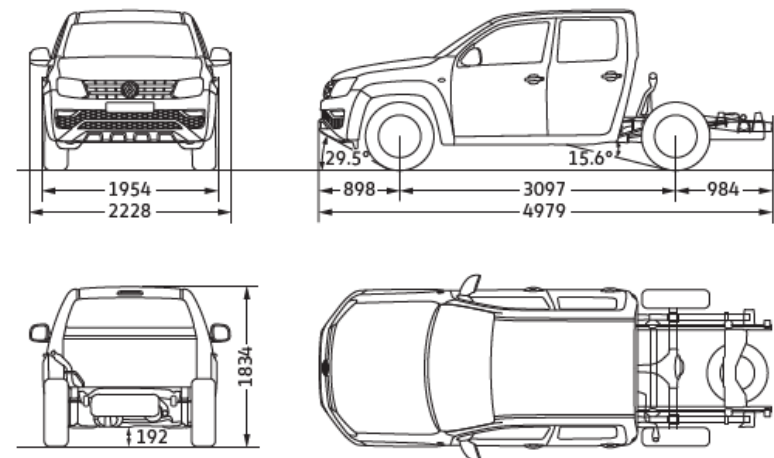
Weights and Dimensions

Gross vehicle mass (kg)	01B/Z4P	3,040
Payload (kg, max) based on standard equipment		1,041
Unladen weight (kg, min) based on standard equipment		1,999
Trailer load limit (kg). 12% gradient. 300kg downball load. (Braked / Unbraked).	S37	3,200 / 750
Gross train weight (kg). 12% gradient		5,950

Amarok DoubleCab



Amarok DoubleCab Chassis



vehicle width without wheel arch cover for Trendline (mm)	1,944	vehicle width without wheel arch cover for Trendline (mm)	1,944
load compartment, area (m ²)	2.52	wading depth (mm)	500
wading depth (mm)	500	minimum turning circle, approx. (m)	12.95
minimum turning circle, approx. (m)	12.95		

Key: • (Standard) NCO (No Cost Option) - (Not available)

Model	Code	Amarok "Canyon"
Safety and Security		
Airbags - driver & front passenger, with front passenger airbag deactivation	4UF / 4UD	•
Airbags - head protection (front side seat mounted)	4X3	•
Anti-dive ramp on all seat bases		•
4 Remote control folding keys	8QM	•
Anti-theft alarm system with interior monitoring, backup horn, towing protection, and all-door unlocking	7AS	•
Anti-spin regulation (ABS/ASR) including Off-road ABS, along with electronic differential lock (EDL)	1AT	•
Central locking system with radio remote control, interior release mechanism, and SAFELOCK	4K3	•
ESP (Electronic Stability Program) with hill start / descent assist and trailer stabilisation	1AT	•
5 x 3-point lap and diagonal seatbelts		•
16-inch dual piston disc brakes front and drum brakes rear with EBD (electronic brake-force distribution)	2E3	•
3-point automatic seat belts with tensioners (front with height adjust)		•
Warning buzzer and light for driver seatbelt and front passenger seat belt not fastened	9P3	•

Wheels – Image 1



8 x 19" MILFORD alloy wheels, with 255/55 R19 tyres (Image 1)	ZR7	•
Full size light alloy spare wheel with original equipment tyre	1G3	•
Wider wheel arches in black (selected vehicles only)	6GF	•

*Maximum Retail Price (MRP) includes 15% GST and does not include on-road costs.

Figures will change depending on model derivative and equipment fitted. Please refer to brochure for further details.

Specifications are subject to change without notice. Fuel consumption tested in accordance with EC directive 80/1268/EC. Consumption measured on European specification cars. Please refer to brochure for further information. Issued 2 May 2018.

Key: • (Standard) NCO (No Cost Option) - (Not available)

Model	Code	Amarok "Canyon"
-------	------	-----------------

Functional Equipment

Air conditioning system "Climatronic"	KH4	•
Cruise control	8T1	•
Multi-function display Premium (Image 3)	9Q4	•
Electric front and rear windows, with anti-trap function and electrically adjustable and heated side door mirrors	6XD / 4R1	•
LED center high-mounted stop lamp with cargo area lighting	8R1	•
Bi-Xenon headlights with LED daytime running lights (Image 2)	ZBD	•
Light and Sight Package – Rain sensor, auto lights, auto dimming interior mirror, coming home and leaving home function	ZL2	•
Front fog lights with cornering function (Image 4)	ZBD	•
Park distance control in front and rear with rear view camera system (Image 5)	7X8	•
Rear tray – 4 folding lashing eyes for load securing	6B4	•
Rear tailgate, lockable	3RQ	•

2 – Bi-Xenon headlights with LED daytime running lights



3 – Multi-function Display Premium



4 – Front Fog lamps with cornering function



5 - Park Distance Control in front and rear with rear view camera



Exterior Features

Towbar preparation	1D7	•
Black door handles	6JA	•
Radiator grille, painted in black, with two double chrome moldings and six vertical chrome ribs	6KG	•
Dark-tinted rear combination lamps	8SB	•
Mudflaps, front and rear	6N2	•
Front side windows in heat insulating glass (green)	QL3	•
Front side windows in heat insulating glass and Privacy glass for rear passenger windows	QL5	•
Stylingbar painted in black with Amarok lettering (image 9)	IB2	•
Black side bars with step (image 10)	Z9C	•
Canyon Name Stickers on Doors	Z9C	•

*Maximum Retail Price (MRP) includes 15% GST and does not include on-road costs.

Figures will change depending on model derivative and equipment fitted. Please refer to brochure for further details.

Specifications are subject to change without notice. Fuel consumption tested in accordance with EC directive 80/1268/EC. Consumption measured on European specification cars. Please refer to brochure for further information. Issued 2 May 2018.

Key: • (Standard) NCO (No Cost Option) - (Not available)

Model	Code	Amarok "Canyon"
Interior Features		
Floor covering – carpet with Canyon lettering	5BF/5AD	•
Front centre armrest & storage console with upholstered cover	3D2	•
Grab handles – four folding handles in the headlining		•
Grab handles – one fixed grab handle on passenger A pillar		•
Grab handles – three fixed grab handles attached to A and B pillars		•
Steering wheel with height and reach adjustment	2PH/1N1	•
Leather-covered multi-function steering wheel, gear lever grip and hand brake handle	Z9C	•
Lumbar support for seats in 1 st row, manually adjustable	7P4	•
Seats, comfort front seats with manual height adjustment, driver and passenger	3L3	•
Seat / Dashboard covering "Canyon" Titanium Black (Image 6)	KG - N2U	•
3 rear headrests, seatbelt reminder and Isofix points in the outer rear seats	9P3/3Q6	•
3 seat cinema-style bench seat. Elevated higher than front seats for increased visibility. 1/3 to 2/3 split folding (upwards) to provide extra storage space. Backrest folds down in one piece. Compartment for storage of small items behind the bench seat.	3UH	•
Storage compartments – up to 1.5L bottles in front door pockets and up to 1L bottles in rear door pockets, 2 cup holders in centre console	3D2	•
Leather parts: hand brake lever and gearshift knob in leather	3HB	•
Sun visor, left and right, with vanity mirror and airbag warning label on front passenger side	5XR	•
Storage compartments under front seats - 2 cup holders in rear tray	QN4	•
12V power outlet (dashboard and centre console)	7B3	2x

6 – Seat trim covers in special design "Canyon"



7 – Styling bar painted in black with Amarok lettering (Roller lid not included)



8 – Black side bars with step




*Maximum Retail Price (MRP) includes 15% GST and does not include on-road costs.

Figures will change depending on model derivative and equipment fitted. Please refer to brochure for further details.

Specifications are subject to change without notice. Fuel consumption tested in accordance with EC directive 80/1268/EC. Consumption measured on European specification cars. Please refer to brochure for further information. Issued 2 May 2018.

Key: • (Standard) NCO (No Cost Option) - (Not available)

Model	Code	Amarok "Canyon"
<p>Multimedia</p> <p>Navigation system "Discover Media" with 6 speakers, Voice control + voice enhance, USB interface (also iPod/iPhone/iPad-capable), and AUX-IN jack, 6.33-inch touch screen and App-Connect, SD Card for Oceania and mobile phone interface</p> 	RI7 77T 9IE	<ul style="list-style-type: none"> •
<p>Warranty and Servicing</p> <p>3 year / 100,000 km mechanical warranty</p> <p>6 year anti-corrosion warranty</p> <p>3 year Volkswagen Roadside Assistance</p> <p>Up to 20,000 km (or every one year) oil service intervals</p>		<ul style="list-style-type: none"> • • • •

*Maximum Retail Price (MRP) includes 15% GST and does not include on-road costs.

Figures will change depending on model derivative and equipment fitted. Please refer to brochure for further details.

Specifications are subject to change without notice. Fuel consumption tested in accordance with EC directive 80/1268/EC. Consumption measured on European specification cars. Please refer to brochure for further information. Issued 2 May 2018.

Key: • (Standard) NCO (No Cost Option) - (Not available)