

# Amarok “Canyon” Special Edition. Specifications MY18.



Commercial  
Vehicles



Model	Code	Amarok "Canyon"
RRP- 8-Speed Automatic Transmission 4MOTION		\$69,990 S7BB3ACA

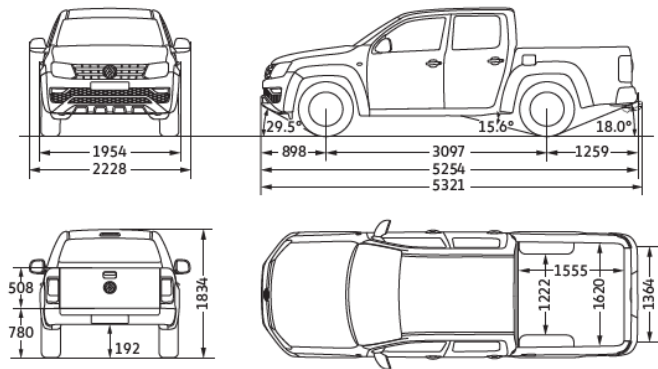
### Technical Data

Power (kW) @ rpm		132 @ 3,000 – 4,000
Torque (Nm) @ rpm (Automatic)		420 @ 1,750
Displacement in cm <sup>3</sup> (4-cylinder)		1968
Diesel Injection system – common rail direct injection turbocharged		•
Fuel tank capacity, approximate (litres)		80
Fuel consumption, combined, in l/100 km (EU 5 Engine, based on automatic)		8.5 – 8.0
Spring load system - heavy duty 3+2 leaf springs on ladder frame chassis	1BF	•

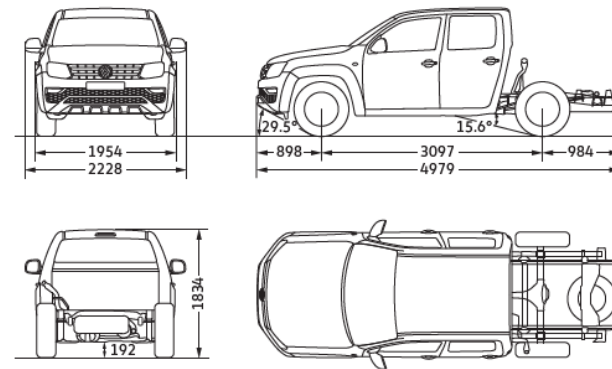
### Weights and Dimensions

Gross vehicle mass (kg)	01B/Z4P	3,040
Payload (kg, max) based on standard equipment		1,041
Unladen weight (kg, min) based on standard equipment		1,999
Trailer load limit (kg). 12% gradient. 300kg downball load. (Braked / Unbraked).	S37	3,200 / 750
Gross train weight (kg). 12% gradient		5,950

Amarok DoubleCab



Amarok DoubleCab Chassis



vehicle width without wheel arch cover for Trendline (mm)	1,944
load compartment, area (m <sup>2</sup> )	2.52
wading depth (mm)	500
minimum turning circle, approx. (m)	12.95

vehicle width without wheel arch cover for Trendline (mm)	1,944
wading depth (mm)	500
minimum turning circle, approx. (m)	12.95

\*Figures will change depending on model derivative and equipment fitted. Please refer to brochure for further details.

Specifications are subject to change without notice. Retail price includes 15% GST and does not include on-road costs. Fuel consumption tested in accordance with EC directive 80/1268/EC. Consumption measured on European specification cars. Please refer to brochure for further information. Issued 14 February 2018.

Key: • (Standard) NCO (No Cost Option) - (Not available)

Model	Code	Amarok "Canyon"
<b>Safety and Security</b>		
Airbags - driver & front passenger, with front passenger airbag deactivation	4UF / 4UD	•
Airbags - head protection (front side seat mounted)	4X3	•
Anti-dive ramp on all seat bases		•
4 Remote control folding keys	8QM	•
Anti-theft alarm system with interior monitoring, backup horn, towing protection, and all-door unlocking	7AS	•
Anti-spin regulation (ABS/ASR) including Off-road ABS, along with electronic differential lock (EDL)	1AT	•
Central locking system with radio remote control, interior release mechanism, and SAFELOCK	4K3	•
ESP (Electronic Stability Program) with hill start / descent assist and trailer stabilisation	1AT	•
5 x 3-point lap and diagonal seatbelts		•
16-inch dual piston disc brakes front and drum brakes rear with EBD (electronic brake-force distribution)	2E3	•
3-point automatic seat belts with tensioners (front with height adjust)		•
Warning buzzer and light for driver seatbelt and front passenger seat belt not fastened	9P3	•

#### Wheels – Image 1



8 x 19" MILFORD alloy wheels, with 255/55 R19 tyres (Image 1)	ZR7	•
Full size light alloy spare wheel with original equipment tyre	1G3	•
Wider wheel arches in black (selected vehicles only)	6GF	•

\*Figures will change depending on model derivative and equipment fitted. Please refer to brochure for further details.

Specifications are subject to change without notice. Retail price includes 15% GST and does not include on-road costs. Fuel consumption tested in accordance with EC directive 80/1268/EC. Consumption measured on European specification cars. Please refer to brochure for further information. Issued 14 February 2018.

Key: • (Standard) NCO (No Cost Option) - (Not available)

Model	Code	Amarok "Canyon"
-------	------	-----------------

### Functional Equipment

Air conditioning system "Climatronic"	KH4	•
Cruise control	8T1	•
Multi-function display Premium (Image 3)	9Q4	•
Electric front and rear windows, with anti-trap function and electrically adjustable and heated side door mirrors	6XD / 4R1	•
LED center high-mounted stop lamp with cargo area lighting	8R1	•
Bi-Xenon headlights with LED daytime running lights (Image 2)	ZBD	•
Light and Sight Package – Rain sensor, auto lights, auto dimming interior mirror, coming home and leaving home function	ZL2	•
Front fog lights with cornering function (Image 4)	ZBD	•
Park distance control in front and rear with rear view camera system (Image 5)	7X8	•
Rear tray – 4 folding lashing eyes for load securing	6B4	•
Rear tailgate, lockable	3RQ	•

2 – Bi-Xenon headlights with LED daytime running lights



3 – Multi-function Display Premium



4 – Front Fog lamps with cornering function



5 - Park Distance Control in front and rear with rear view camera



### Exterior Features

Towbar preparation	1D7	•
Black door handles	6JA	•
Radiator grille, painted in black, with two double chrome moldings and six vertical chrome ribs	6KG	•
Dark-tinted rear combination lamps	8SB	•
Mudflaps, front and rear	6N2	•
Front side windows in heat insulating glass (green)	QL3	•
Front side windows in heat insulating glass and Privacy glass for rear passenger windows	QL5	•
Stylingbar painted in black with Amarok lettering (image 9)	1B2	•
Black side bars with step (image 10)	Z9C	•
Canyon Name Stickers on Doors	Z9C	•

\*Figures will change depending on model derivative and equipment fitted. Please refer to brochure for further details.

Specifications are subject to change without notice. Retail price includes 15% GST and does not include on-road costs. Fuel consumption tested in accordance with EC directive 80/1268/EC. Consumption measured on European specification cars. Please refer to brochure for further information. Issued 14 February 2018.

Key: • (Standard) NCO (No Cost Option) - (Not available)

Model	Code	Amarok "Canyon"
<b>Interior Features</b>		
Floor covering – carpet with Canyon lettering	5BF/5AD	•
Front centre armrest & storage console with upholstered cover	3D2	•
Grab handles – four folding handles in the headlining		•
Grab handles – one fixed grab handle on passenger A pillar		•
Grab handles – three fixed grab handles attached to A and B pillars		•
Steering wheel with height and reach adjustment	2PH/1N1	•
Leather-covered multi-function steering wheel, gear lever grip and hand brake handle	Z9C	•
Lumbar support for seats in 1 <sup>st</sup> row, manually adjustable	7P4	•
Seats, comfort front seats with manual height adjustment, driver and passenger	3L3	•
Seat / Dashboard covering "Canyon" Titanium Black (Image 6)	KG - N2U	•
3 rear headrests, seatbelt reminder and Isofix points in the outer rear seats	9P3/3Q6	•
3 seat cinema-style bench seat. Elevated higher than front seats for increased visibility. 1/3 to 2/3 split folding (upwards) to provide extra storage space. Backrest folds down in one piece. Compartment for storage of small items behind the bench seat.	3UH	•
Storage compartments – up to 1.5L bottles in front door pockets and up to 1L bottles in rear door pockets, 2 cup holders in centre console	3D2	•
Leather parts: hand brake lever and gearshift knob in leather	3HB	•
Sun visor, left and right, with vanity mirror and airbag warning label on front passenger side	5XR	•
Storage compartments under front seats - 2 cup holders in rear tray	QN4	•
12V power outlet (dashboard and centre console)	7B3	2x

6 – Seat trim covers in special design "Canyon"



7 – Styling bar painted in black with Amarok lettering (Roller lid not included)




8 – Black side bars with step



\*Figures will change depending on model derivative and equipment fitted. Please refer to brochure for further details.

Specifications are subject to change without notice. Retail price includes 15% GST and does not include on-road costs. Fuel consumption tested in accordance with EC directive 80/1268/EC. Consumption measured on European specification cars. Please refer to brochure for further information. Issued 14 February 2018.

Key: • (Standard) NCO (No Cost Option) - (Not available)

Model	Code	Amarok "Canyon"
<p><b>Multimedia</b></p> <p>Navigation system "Discover Media" with 6 speakers, Voice control + voice enhance, USB interface (also iPod/iPhone/iPad-capable), and AUX-IN jack, 6.33-inch touch screen and App-Connect, SD Card for Oceania and mobile phone interface</p> 	R17 77T 91E	<ul style="list-style-type: none"> <li>•</li> </ul>
<p><b>Warranty and Servicing</b></p> <p>3 year / 100,000 km mechanical warranty</p> <p>6 year anti-corrosion warranty</p> <p>3 year Volkswagen Roadside Assistance</p> <p>Up to 20,000 km (or every one year) oil service intervals</p>		<ul style="list-style-type: none"> <li>•</li> <li>•</li> <li>•</li> <li>•</li> </ul>

\*Figures will change depending on model derivative and equipment fitted. Please refer to brochure for further details.

Specifications are subject to change without notice. Retail price includes 15% GST and does not include on-road costs. Fuel consumption tested in accordance with EC directive 80/1268/EC. Consumption measured on European specification cars. Please refer to brochure for further information. Issued 14 February 2018.

Key: • (Standard)    NCO (No Cost Option)    - (Not available)