

# Amarok Double Cab

Model Year 2021 Specifications



Commercial Vehicles

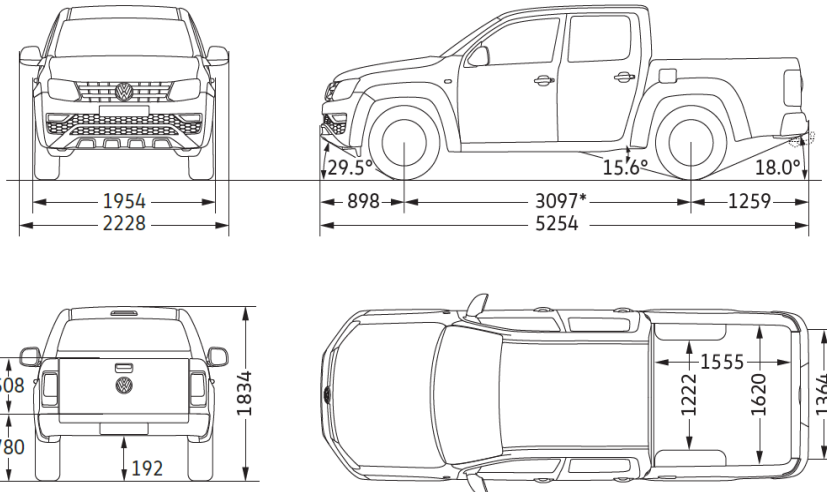


5 YEAR WARRANTY

Price	4-Cylinder Comfortline	V6 Sportline	V6 Aventura
Model Code	S7BB3A	S7BC8A	S6BD8A
Maximum Retail Price*	\$63,000	\$75,000	\$90,000
*Maximum Retail Price (MRP) includes 15% GST and does not include on-road costs. Fuel consumption tested in accordance with EC directive EEC 715/2007 and is based on NEDC procedure. Consumption is measured on European specification cars and may vary depending on equipment, road conditions, tires and driving behaviour. Image shows international specification, local specification may vary. Specifications are as planned at August 2020 for Model Year 2021 and subject to change without notice or obligation.			



Technical Data	4-Cylinder Comfortline	V6 Sportline	V6 Aventura
Engine Type	4-Cylinder Twin Turbo	V6 Turbo	V6 Turbo
Fuel Type	Diesel	Diesel	Diesel
Cubic Capacity (cc)	1,968	2,967	2,967
Maximum Power (kW) @ rpm	132 @ 3,000 - 4,000	190 @ 2,500 - 4,000	190 @ 2,500 - 4,000
Maximum Power including Overboost (kW) @ rpm	-	200 @ 3,500 - 4,000	200 @ 3,500 - 4,000
Maximum Torque (Nm) @ rpm	420 @ 1,750	580 @ 1,400 - 3,000	580 @ 1,400 - 3,000
Drivetrain	4MOTION 4-Wheel Drive	4MOTION 4-Wheel Drive	4MOTION 4-Wheel Drive
Transmission	8 Speed Automatic	8 Speed Automatic	8 Speed Automatic
Spring Load System, 2+1 Standard Leaf Springs	NCO	●	●
Spring Load System, 3+2 Heavy Duty Leaf Springs	●	NCO	NCO
Gross Vehicle Mass, 2+1 Standard Leaf Springs	2,820	2,920	2,920
Gross Vehicle Mass, 3+2 Heavy Duty Leaf Springs	3,040	3,080	3,080
Tare weight (kg), based on Standard Equipment	2,067	2,160	2,254
Payload, 2+1 Standard Leaf Springs	770	760	666
Payload, 3+2 Heavy Duty Leaf Springs	973	904	809
Trailer load limit 12% gradient. Braked / Unbraked (kg), 2+1 Standard Leaf Springs	3,200 / 750	3,500 / 750	3,500 / 750
Trailer load limit 12% gradient. Braked / Unbraked (kg), 3+2 Heavy Duty Leaf Springs	3,200 / 750	3,300 / 750	3,300 / 750
Down ball load (kg), 2 + 1 Standard Leaf Springs	140	300	300
Down ball load (kg), 3 + 2 Heavy Duty Leaf Springs	140	140	140
Maximum Axle Ratings, Front / Rear (kg), based on Standard Equipment	1,445 / 1,860	1,445 / 1,630	1,445 / 1,630
Gross Train Weight 12% gradient (kg)	5,950	6,000	6,000
Fuel Tank Capacity (L, approx.)	80	80	80
Emission Standard	EU5	EU6	EU6
Ad Blue Tank Capacity (L, approx.)	-	13	13
Fuel consumption (L/100km) (Combined)	8.5	8.9	8.9
Start/stop system with generative braking	-	-	●
Top Speed (km/h)	179	207	207
Acceleration, 0-100km/h (s)	10.9	7.3	7.3
5 year / 150,000 km (whichever occurs first) mechanical warranty, 5 year Volkswagen Roadside Assistance	●	●	●
6-Year Anti-Corrosion Warranty	●	●	●
Up to 20,000km or every one year (whichever occurs first) oil service intervals	●	●	●



\*This value applies for unladen weight. When loaded, the wheelbase is 3,090 mm.



Safety and Security		4-Cylinder Comfortline	V6 Sportline	V6 Aventura
Airbags – driver & front passenger, with front passenger airbag deactivation	4UF / 4UD	●	●	●
Airbags – side and curtain airbag for front passengers	4X3	●	●	●
Anti-spin regulation (ABS/ASR) including Off-road ABS, along with electronic differential lock (EDL)	1AT	●	●	●
ESP (Electronic Stability Program) with hill start / descent assist and trailer stabilisation	1AT	●	●	●
Anti-theft alarm system with interior monitoring, backup horn, towing protection, and all-door unlocking	7AS	●	●	●
Central locking system with radio remote control, interior release mechanism, and SAFELOCK	4K3	●	●	●
5 x 3-point lap and diagonal seatbelts	**	●	●	●
Dual piston disc brakes in front and drum brakes rear with EBD (electronic brake-force distribution)	2E3	●	-	-
332mm diameter disc brakes front and 300mm diameter disc brakes in the rear with EBD (electronic brake-force distribution)	2E4	-	●	●
Warning buzzer and light for driver seatbelt and front passenger seat belt not fastened	9P3	●	●	●
Cruise Control	8T1	●	●	●
Tire Pressure Monitoring System	7K3	\$400	\$400	\$400
Park Distance Control, Front & Rear, with Rear View Camera	7X8	●	●	●



Exterior		4-Cylinder Comfortline	V6 Sportline	V6 Aventura
Silver Skid Plate at front bumper	**	-	-	●
Colour coded front bumper, door handles and door mirrors. Black rear bumper with integrated step	2JF / 0S2	●	-	-
Colour coded front bumper and door handles, chrome accents on front bumper & door mirrors. Chrome-plated rear bumper with integrated step and chrome elements on front bumper	2JF / 0S6	-	●	●
Front fog lights with cornering function	8WH	●	●	●
Bi-Xenon headlights with LED daytime running lights	ZF5	●	●	●
Light & Vision – Rain sensor, auto lights, auto dimming interior mirror, coming home and leaving home function	ZL2	●	●	●
Electrically adjustable and heated wing mirrors	6XD	●	●	-
Electrically adjustable, heated & folding wing mirrors	6XE	-	-	●
Washer fluid level indicator	8W1	-	●	●
Front side windows in heat insulating glass and Privacy glass for rear passenger windows	QL5	●	●	●
Mud flaps, front and rear	6N2	●	●	●
LED centre high-mounted stop lamp	8R4 / 8R7	●	●	●

Sports Bar painted in body colour	IB1 / YTU	-	-	●
Stainless steel nerf bars with integrated steps	YFG	-	-	●
Durabed UV-resistant tray liner	YMB	-	-	●
Rear Tray - 4 folding lashing rings for load securing	6B4	●	●	●
Rear tailgate, lockable	3RQ	●	●	●
Mechanical Differential Lock, rear axle	1Y4	\$1,250	\$1,250	\$1,250
Tow bar preparation including trailer stabilisation	1D7	●	●	●



Interior		4-Cylinder Comfortline	V6 Sportline	V6 Aventura
Climatronic two-zone automatic air-conditioning, with separate temperature control for driver and front passenger	KH4	●	●	●
Leather-covered multi-function steering wheel, gear lever grip and hand brake handle	ZM2	●	●	●
Paddle shift levers	ZM1	\$150	\$150	●
Power steering with height and longitudinally adjustable safety steering column	1N1	●	●	●
Multi-function display Plus	9Q5	●	●	-
Multi-function display Premium	9Q4	-	-	●
2X Remote control folding keys	8QK	●	●	●
Comfortline chrome elements in the passenger compartment	**	●	-	-
Highline chrome elements in the passenger compartment	6KG	-	●	●
Sun visor, left and right, with vanity mirror and airbag warning label on front passenger side	5XR	●	●	●
Leather parts: hand brake lever and gearshift knob in leather	3HB	●	●	●
Storage compartments - up to 1.5L bottles in front door pockets and up to 1L bottles in rear door pockets, 2 cup holders in centre console	3D2	●	●	●
Storage compartments under front seats - 2 cup holders in rear tray	QN4	●	●	●
Floor covering - robust rubber	ZB2	\$220	\$220	\$220
Floor covering - carpet	5BF / 5AD	●	●	●
Floor covering - Aventura	Z9A	-	-	●
Front centre armrest & storage console with upholstered cover	3D2	●	●	●
Grab handles - four folding handles in the headlining	**	●	●	●
Beige Interior Headlining, A & B-Pillar	**	●	-	-
Grey Interior Headlining, A & B Pillar	**	-	●	-
Dark Interior Headlining, A & B-Pillar	**	-	-	●
12V power outlet	**	2X	4X	4X



Seat & Upholstery		4-Cylinder Comfortline	V6 Sportline	V6 Aventura
Seat cover - "Kemisu" Cloth Upholstery	N0L / AH	●	-	-
Seat cover - "ArtVelours" Upholstery	N3R / DM	-	●	-
Seat cover - "Nappa" Leather Upholstery, 14-Way power adjustable front seats	N4L / TE	-	-	●
Lumbar support for seats in 1st row, manually adjustable	7P4	●	●	-
Seats, comfort front seats with manual height adjustment, driver and passenger	3L3	●	●	-
14-way power adjustable "ergoComfort" seats for driver and front passenger in Vienna Leather	ZSA	\$6,500	\$6,500	-
Heated front driver and passenger seats	ZW2 / ZSB	-	●	●
3 rear headrests, seatbelt reminder and Isofix points in the outer rear seats	9P3 / 3Q6	●	●	●
3 seat cinema-style bench seat. Elevated higher than front seats for increased visibility. 1/3 to 2/3 split folding (upwards) to provide extra storage space. Backrest folds down in one piece. Storage Compartment for small items behind the bench seat.	3UH	●	●	●



Multimedia		4-Cylinder Comfortline	V6 Sportline	V6 Aventura
Radio "Composition Media", 6.33" Touchscreen	Z14	●	●	-
Navigation "Discover Media" 6.33" Touchscreen	Z17	-	-	●
6 Speakers, Voice Enhancer & Voice Control	Z14 / Z17	●	●	●
USB Interface, AUX-IN, Mobile Interface	Z14 / Z17	●	●	●
App-Connect	Z14 / Z17	●	●	●



Wheels	4-Cylinder Comfortline	V6 Sportline	V6 Aventura
Image			
Standard Wheels	17" Posadas Alloys	18" Manaus Alloys	20" Talca Alloys
Tire Size	245/65 R17	255/60 R18	255/50 R20
Image			-
19" Milford Alloys, 255/55 R19 Tires	\$1,800	\$1,200	-
Full size light alloy spare wheel	●	●	●



Exterior Colours	4-Cylinder Comfortline	V6 Sportline	V6 Aventura
Candy White	B4B4 ●	●	●
Deep Black Pearlescent	2T2T ●	●	●
Indium Grey Metallic	X3X3 ●	●	●
Mojave Beige Metallic	1B1B ●	●	●